

HK 345 K9+L6

KNUCKLE BOOM CRANE



HIDROKON



Strength in Your Favor!

HK 345 K9+L6 Knuckle Boom Crane

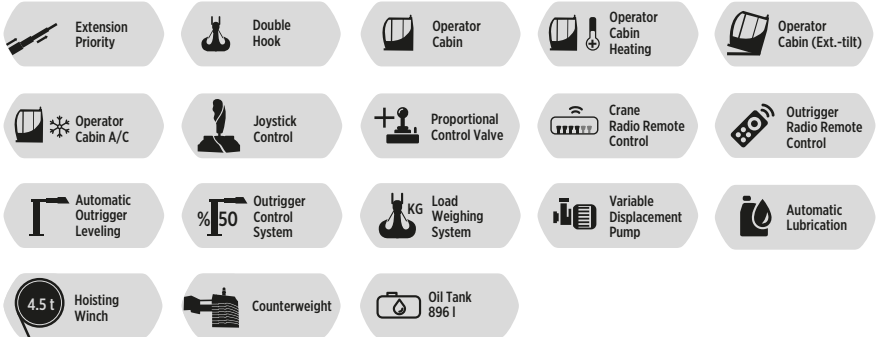
*With high quality equipment,
superior capability and
maximum safety features.*







FEATURES



Crane Attachments

● Available × Not Available	Fly Jib	Hoisting Winch Single Line	Hoisting Winch Single Line	Hoisting Winch Single Line	Hoisting Winch Single Line
		1937 KG	3059 KG	3569 KG	4588 KG
HK 345	●	×	×	●	●

● Available × Not Available	Counter Weight	Load Case Extension	5th-6th Stabilizers	Manual Extension Booms
	HK 345	●	×	●

Other Attachments

Double Hook

Body Apparatus For Utility Pole

Hook Block - Single Sheave

Pallet Fork

Towing Equipment

Angular Extension Boom

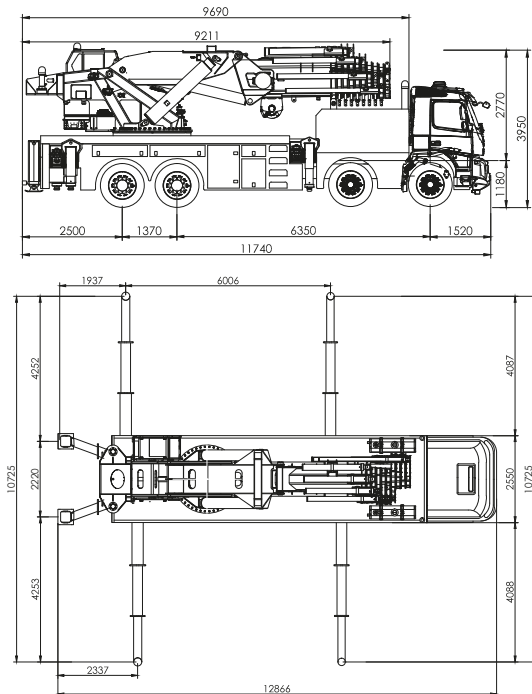
H Frame Lifting Beam

Angular Extension Boom
(Angle Adjustable)

Technical Specifications

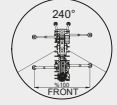
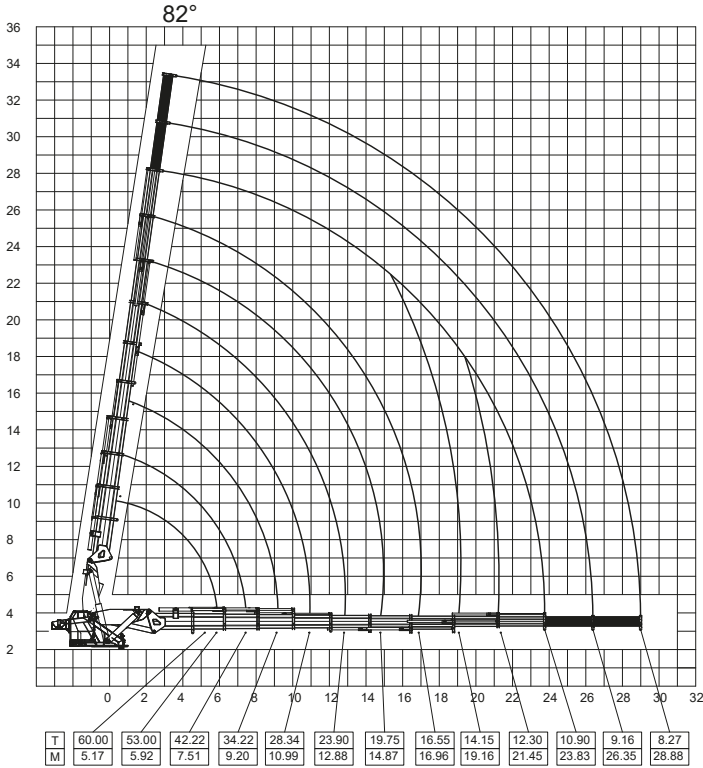
Max. Hydraulic Vertical Outreach	28.13 m	92' 3.48"
Max. Manual Vertical Outreach	33.32 m	109' 3.81"
Max. Hydraulic Vertical Outreach With Fly Jib	48.87 m	160' 4.01"
Max. Manual Vertical Outreach With Fly Jib	58.26 m	191' 1.70"
Working Pressure	300 bar	4351 psi
Rotation Angle	∞ (Endless)	∞ (Endless)
Number Of Hydraulic Extensions	9	9
Number Of Hydraulic Extensions Of Fly Jib	6	6
Number Of Manual Extensions	2	2
Number Of Manual Extensions Of Fly Jib	3	3
Counter Weight	8 x 1320 kg	8 x 2910 lbs
Oil Tank Capacity	896 l	896 l
Dead Weight (Std.)	37520 kg	82,717 lbs
Dead Weight (Std.) With Fly Jib	41900 kg	92,373 lbs

Dimensions (mm)



*Vehicle model selection may vary depending on country highway regulations, the image above is for illustration purposes only.

HK 345 K9+2 Lifting Capacity



Main Bom
1. Manual Ext.
Max 9160 kg

Main Bom
2. Manual Ext.
Max 8270 kg

- * Lifting capacities of the main boom are valid when manual extensions are not installed.
- * In vertical and horizontal distances, boom deflections are not calculated.
- * Subject to change without prior notice.
- * In the case of working in front of the cab area and / or on a surface where outrigger jacks are not balanced, all the responsibility belongs to the user.

max.	Feet&Inch	115000 kg	253,531 lbs
5.17 m	16' 11.54"	60000 kg	132,277 lbs
5.92 m	19' 5.07"	53000 kg	116,844 lbs
7.51 m	24' 7.66"	38300 kg	84,437 lbs
9.20 m	30' 2.20"	34200 kg	75,398 lbs
10.99 m	36' 0.67"	28300 kg	62,390 lbs
12.88 m	42' 3.08"	24000 kg	52,910 lbs
14.87 m	48' 9.43"	20000 kg	44,092 lbs
16.96 m	55' 7.71"	15600 kg	34,392 lbs
19.16 m	62' 10.33"	13500 kg	29,762 lbs
21.45 m	70' 4.48"	11500 kg	25,353 lbs
23.83 m	78' 2.18"	10900 kg	24,030 lbs
26.35 m*	86' 5.40"	9160 kg	20,194 lbs
28.88 m*	94' 9.00"	8270 kg	18,232 lbs

* Manual extension boom

HK 345 K9+L6+3 Lifting Capacity

B

FLY JIB	Feet&Inch	30000 kg	66,138 lbs
12.77 m	41' 10.75"	9200 kg	20,282 lbs
15.17 m	49' 9.24"	5380 kg	11,860 lbs
17.66 m	57' 11.27"	3460 kg	7,627 lbs
20.26 m	66' 5.63"	2430 kg	5,357 lbs
22.95 m	75' 3.54"	1810 kg	3,990 lbs
25.75 m	84' 5.77"	1440 kg	3,174 lbs
28.68 m	94' 1.13"	1200 kg	2,645 lbs
31.83 m*	104' 5.14"	650 kg	1,433 lbs
34.99 m*	114' 9.55"	460 kg	1,014 lbs
38.15 m*	125' 1.96"	400 kg	881 lbs

* Manual extension boom

C

FLY JIB	Feet&Inch	30000 kg	66,138 lbs
21.80 m	71' 6.26"	2550 kg	5,621 lbs
24.20 m	79' 4.75"	2080 kg	4,585 lbs
26.69 m	87' 6.78"	1730 kg	3,813 lbs
29.29 m	96' 1.14"	1610 kg	3,549 lbs
31.98 m	104' 11.05"	1270 kg	2,799 lbs
34.78 m	114' 1.29"	1120 kg	2,469 lbs
37.71 m	123' 8.64"	1020 kg	2,248 lbs
40.86 m*	134' 0.66"	620 kg	1,366 lbs
44.02 m*	144' 5.07"	560 kg	1,234 lbs
47.18 m*	154' 9.48"	510 kg	1,124 lbs

* Manual extension boom

D

FLY JIB	Feet&Inch	30000 kg	66,138 lbs
28.50 m	93' 6.04"	2210 kg	4,872 lbs
30.89 m	101' 4.14"	1860 kg	4,100 lbs
33.39 m	109' 6.56"	1580 kg	3,483 lbs
35.98 m	118' 0.53"	1490 kg	3,284 lbs
38.68 m	126' 10.83"	1200 kg	2,645 lbs
41.47 m	136' 0.67"	1090 kg	2,403 lbs
44.40 m	145' 8.03"	1000 kg	2,204 lbs
47.55 m*	156' 0.04"	540 kg	1,190 lbs
50.71 m*	166' 4.45"	460 kg	1,014 lbs
53.87 m*	176' 8.86"	400 kg	881 lbs

* Manual extension boom