

# HK 60 TPK

AERIAL PLATFORM



**HIDROKON**



*Most Powerful in its Class*










# **HK 60 TPK Aerial Platform**

*With high quality equipment,  
superior capability and  
maximum safety features.*





## Technical Specifications

	Total weight*	36000 kg		Rotation angle of the basket boom	210°
	Max. working height	60 m		Rotation angle of the basket	± 200°
	Max. basket height	58 m		Size of the basket **	1020X1100X2430 mm
	Max. outreach	31 m		Max. basket load	600 kg
	Rotation angle of turntable	± 270°	**Extendable Basket (Measure After Extension: 1020x1100x3870 mm) *It Varies Depending On The Vehicle Type.		

### BASIC SPECIFICATIONS

ENGINE START/STOP IN CABIN	STANDARD
RAMPING ON MOVEMENT START AND STOP	STANDARD

### BASKET

ENGINE START/STOP IN THE BASKET	STANDARD
220 V AC OUTLET	STANDARD
OVERLOAD CONTROL ON BASKET	STANDARD
LIGHTENING	STANDARD

### BOOMS

MAINBOOM ANGLE	85 °
UPPER BOOM ANGLE	180 °
LENGTH AND ANGLE CONTROL OF BOOMS	STANDARD

### SLEWING

SLEWING ANGLE CONTROL	STANDARD
SLEWING WITHIN THE VIEW OF THE SIDE MIRRORS	STANDARD

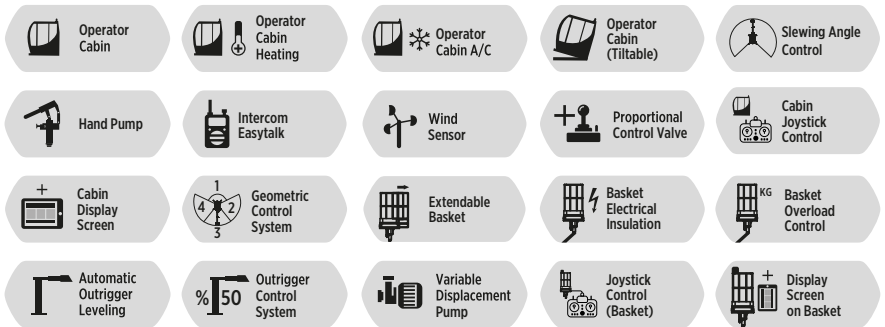
### OUTRIGGERS

TWO OUTRIGGERS ON EACH SIDE	STANDARD
VERTICAL JACKING CONTROL	STANDARD
MAXIMUM PERMISSIBLE INCLINATION	3 °

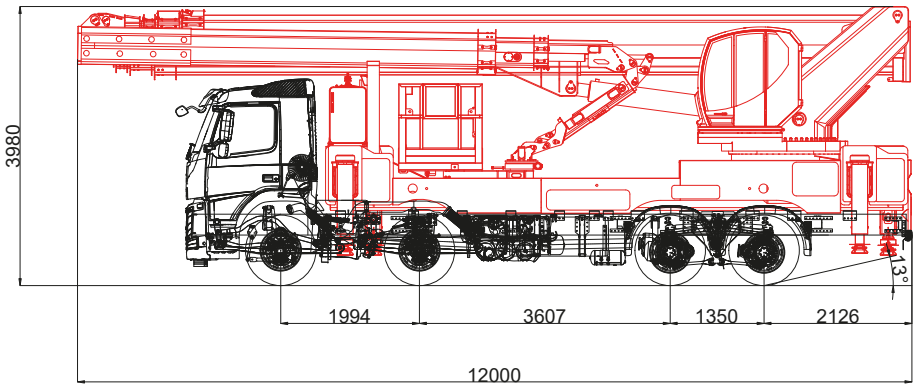
### OPTIONAL SPECIFICATIONS

STABILIZER PADS	OPTIONAL
-----------------	----------

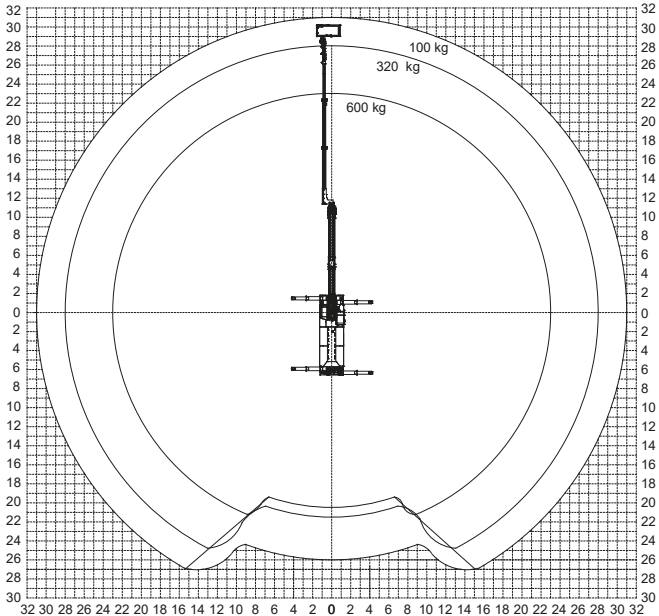
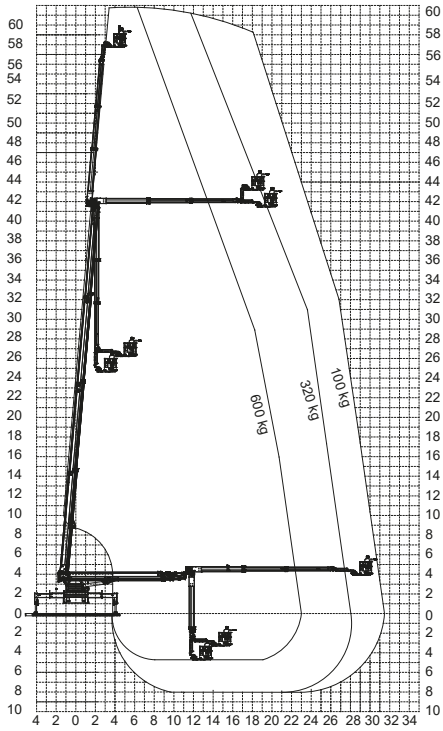
## FEATURES



## Dimensions (mm)



# HK 60 TPK Working Diagrams



\*Boom deflections are not taken into consideration